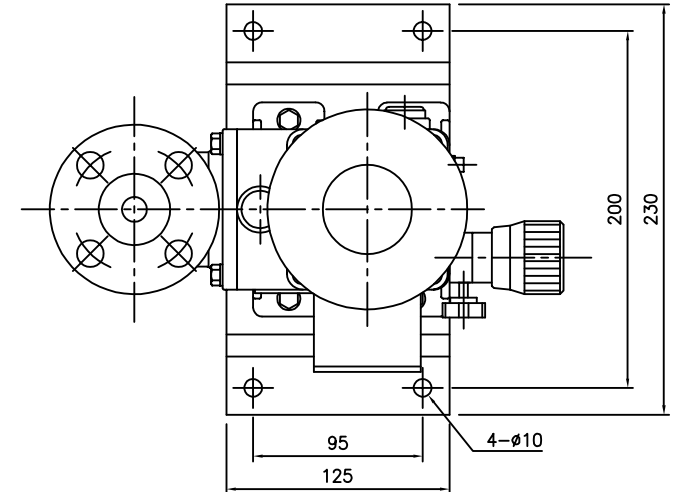
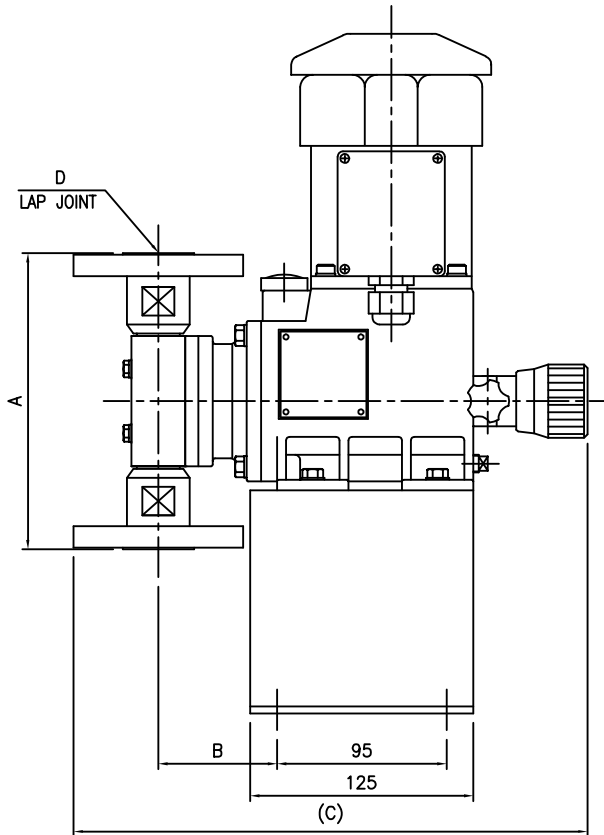
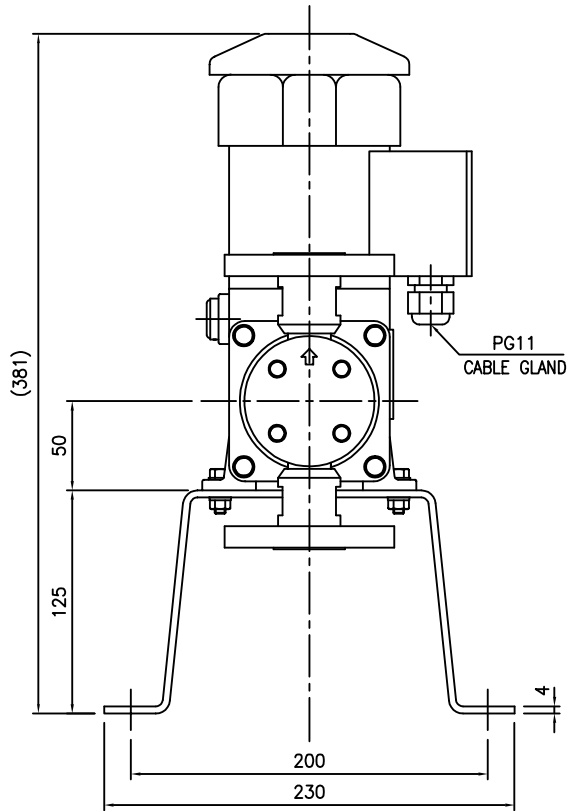


DIMENSIONS (mm)					
PUMP MODEL	A	B	C	D	WEIGHT(kg)
KM-500-P□□	164	69	290	KS10K 15A RF	8.6
KM-500-F□□					8.7
KM-121-P□□	164	69	291	KS10K 15A RF	8.6
KM-121-F□□					8.7
KM-251-P□□	164	68	290	KS10K 15A RF	8.6
KM-251-F□□					8.7

PUMP SPECIFICATIONS (50Hz/60Hz)			
PUMP MODEL	KM-500	KM-121	KM-251
MAX.CAPACITY (ml/min)	42 / 50	104 / 125	213 / 255
MAX.DIS.PRESSURE (bar)	10	10	10
STROKE PER MINUTE (SPM)	95 / 114		
ROTATION (MOTOR FAN)	CLOCKWISE		
POWER (W)	60		

ITEM NO	NO.	DESCRIPTION	SIZE	MAT'L	Q'TY	REMARK
		MAT'L	MAT'L DIM	WEIGHT	SCALE N/S(0.32)	
	FILE NAME	GOSPF-01	専属 TITLE	OUTLINE DRAWING		
	APPROVED		KM-500~251 PUMP (FLANGE TYPE)			
	CHECKED					
	DESIGNED		専属 DWG NO	G41101		
	DRAWN					
STORAGE NO.						
ORG.DWG						

천세산업 주식회사
CHEON SEI IND. CO.,LTD.



DIMENSIONS (mm)					
PUMP MODEL	A	B	C	D	WEIGHT(kg)
KM-500-S□□	166	67	288	KS10K 15A RF	10.8
KM-500-6□□					
KM-121-S□□	166	67	289	KS10K 15A RF	10.8
KM-121-6□□					
KM-251-S□□	166	68	290	KS10K 15A RF	10.8
KM-251-6□□					

PUMP SPECIFICATIONS (50Hz/60Hz)			
PUMP MODEL	KM-500	KM-121	KM-251
MAX.CAPACITY (ml/min)	42 / 50	104 / 125	213 / 255
MAX.DIS.PRESSURE (bar)	10	10	10
STROKE PER MINUTE (SPM)	95 / 114		
ROTATION (MOTOR FAN)	CLOCKWISE		
POWER (W)	60		

ITEM NO	NO.	DESCRIPTION	SIZE	MAT'L	Q'TY	REMARK
		MAT'L	MAT'L DIM	WEIGHT	SCALE N/S(0.32)	
	FILE NAME	G0SSF-01	専属 TITLE	OUTLINE DRAWING		
	APPROVED		KM-500~251 PUMP (FLANGE TYPE)			
	CHECKED					
	DESIGNED		専属 DWG NO	G41301		
	DRAWN					
STORAGE NO.						
ORG.DWG						

천세산업 주식회사
CHEON SEI IND. CO.,LTD.